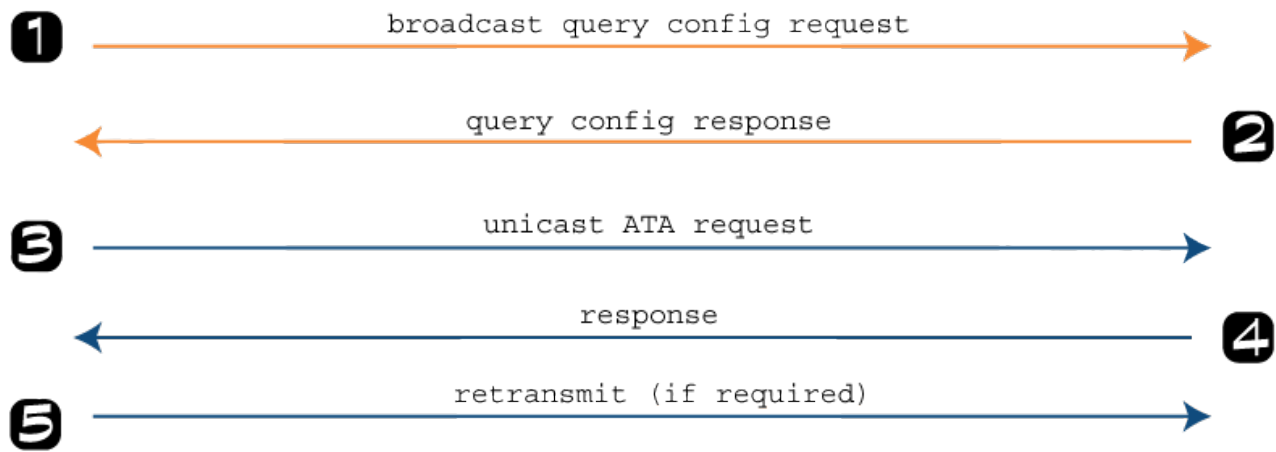
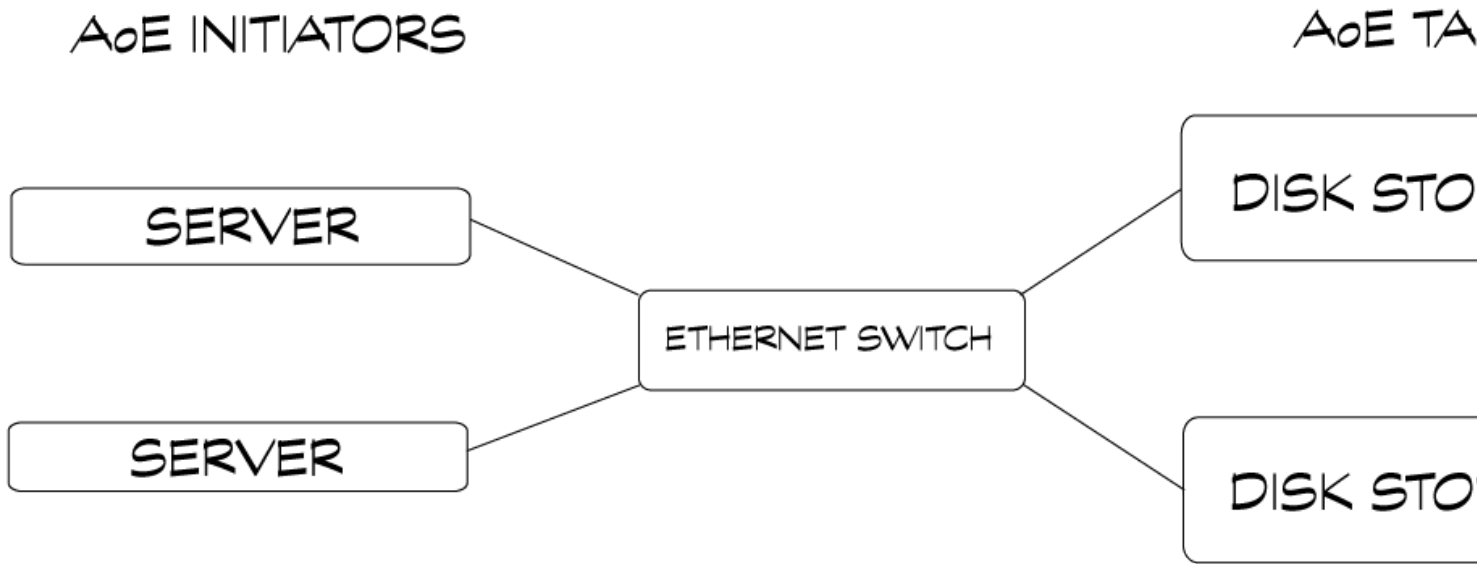


How AoE Works



How AoE Works

How AoE Works

1	AoE initiator broadcasts an AoE configuration string message to discover AoE target devices on the network. Initiators repeat broadcasts periodically.
2	AoE targets respond with available AoE device addresses. This identifies what storage volumes are available on the network.
3	AoE initiator sends AoE messages with unique tag identifiers and ATA disk commands. AoE targets allow multiple AoE messages to be queued enabling high performance.
4	AoE targets execute AoE messages (disk read/write commands) and echo message identity tags in the responses.
5	If no tag response is received, initiator resends AoE message. Ethernet networks rarely drop frames, so retransmission is rare.